

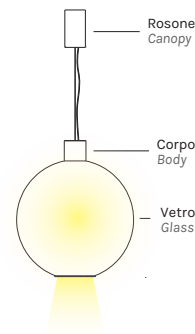
INDOOR - SUSPENSION

BEAM STICK NUANCE Ø450

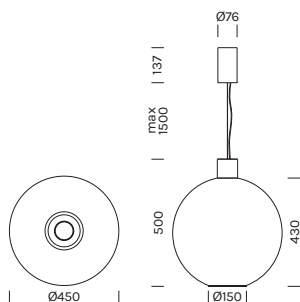


- alluminio, vetro soffiato a bocca
- colore cavo: nero

- aluminum, mouthblown glass
- cable color: black



Con rosone e driver
With canopy and driver

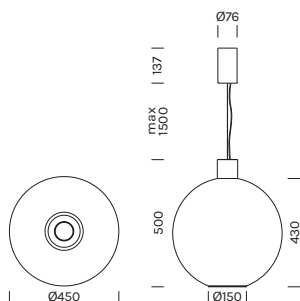
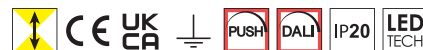


	M 2700K	W 3000K
Power	↑10.0W ↓10.0W	↑10.0W ↓10.0W
Nominal lumen	↑1280.0lm ↓1280.0lm	↑1315.0lm ↓1315.0lm
Beam angle	↑diffused ↓120°	↑diffused ↓120°
CRI	>90	>90
Supply	220-240V	220-240V

Item	Temperature	Canopy	Body	Glass
4686	M	-BO	-BO	-VBI
	W	-NO	-NO	

composed by RS05 (1Pz) 4676 (1Pz)

Con rosone e driver
With canopy and driver

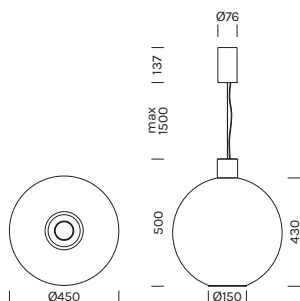
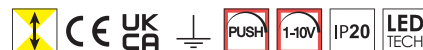


	M 2700K	W 3000K
Power	↑10.0W ↓10.0W	↑10.0W ↓10.0W
Nominal lumen	↑1280.0lm ↓1280.0lm	↑1315.0lm ↓1315.0lm
Beam angle	↑diffused ↓120°	↑diffused ↓120°
CRI	>90	>90
Supply	220-240V	220-240V

Item	Temperature	Canopy	Body	Glass
4688	M	-BO	-BO	-VBI
	W	-NO	-NO	

composed by RS05/02 (1Pz) 4676 (1Pz)

Con rosone e driver
With canopy and driver



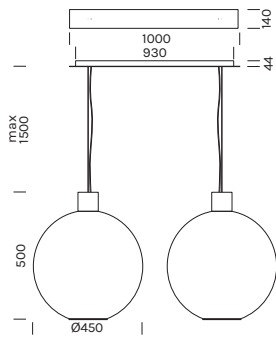
	M 2700K	W 3000K
Power	↑10.0W ↓10.0W	↑10.0W ↓10.0W
Nominal lumen	↑1280.0lm ↓1280.0lm	↑1315.0lm ↓1315.0lm
Beam angle	↑diffused ↓120°	↑diffused ↓120°
CRI	>90	>90
Supply	220-240V	220-240V

Item	Temperature	Canopy	Body	Glass
4689	M	-BO	-BO	-VBI
	W	-NO	-NO	

composed by RS05/03 (1Pz) 4676 (1Pz)

Con rosone e driver

With canopy and driver



4687	M 2700K	W 3000K
Power	↑20.0W ↓20.0W	↑20.0W ↓20.0W
Nominal lumen	↑2560.0lm ↓2560.0lm	↑2630.0lm ↓2630.0lm
Beam angle	↑diffused ↓120°	↑diffused ↓120°
CRI	>90	>90
Supply	220-240V	220-240V

Item	Temperature	Canopy	Body	Glass
4687	M	-BI	-BO	-VBI
.....composed by RS87 (1Pz) 4676 (2Pz)	W	-NE	-NO	